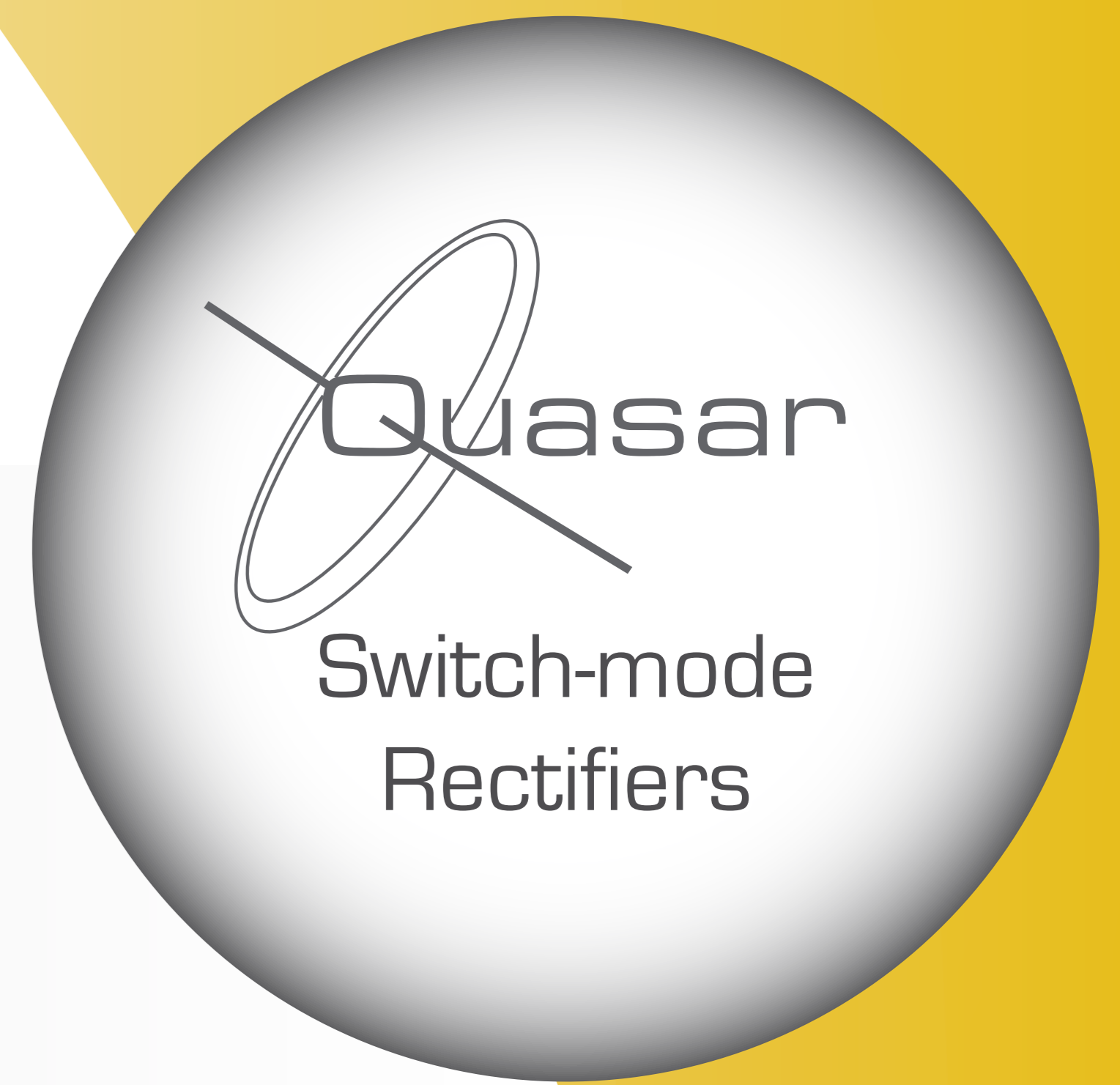


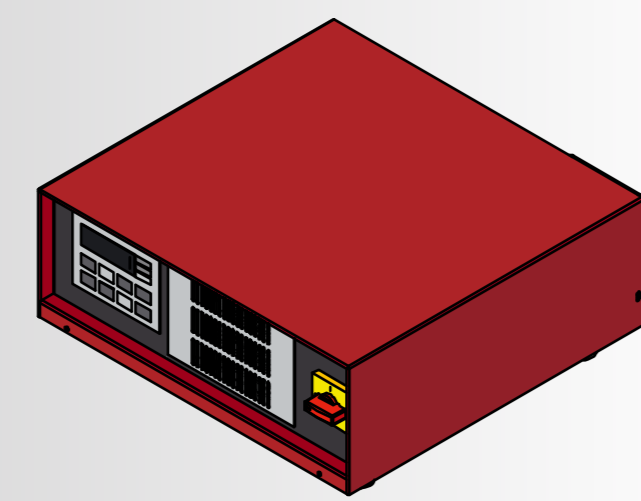
DC Air Cooled configurations



429 mm
Base
424 mm

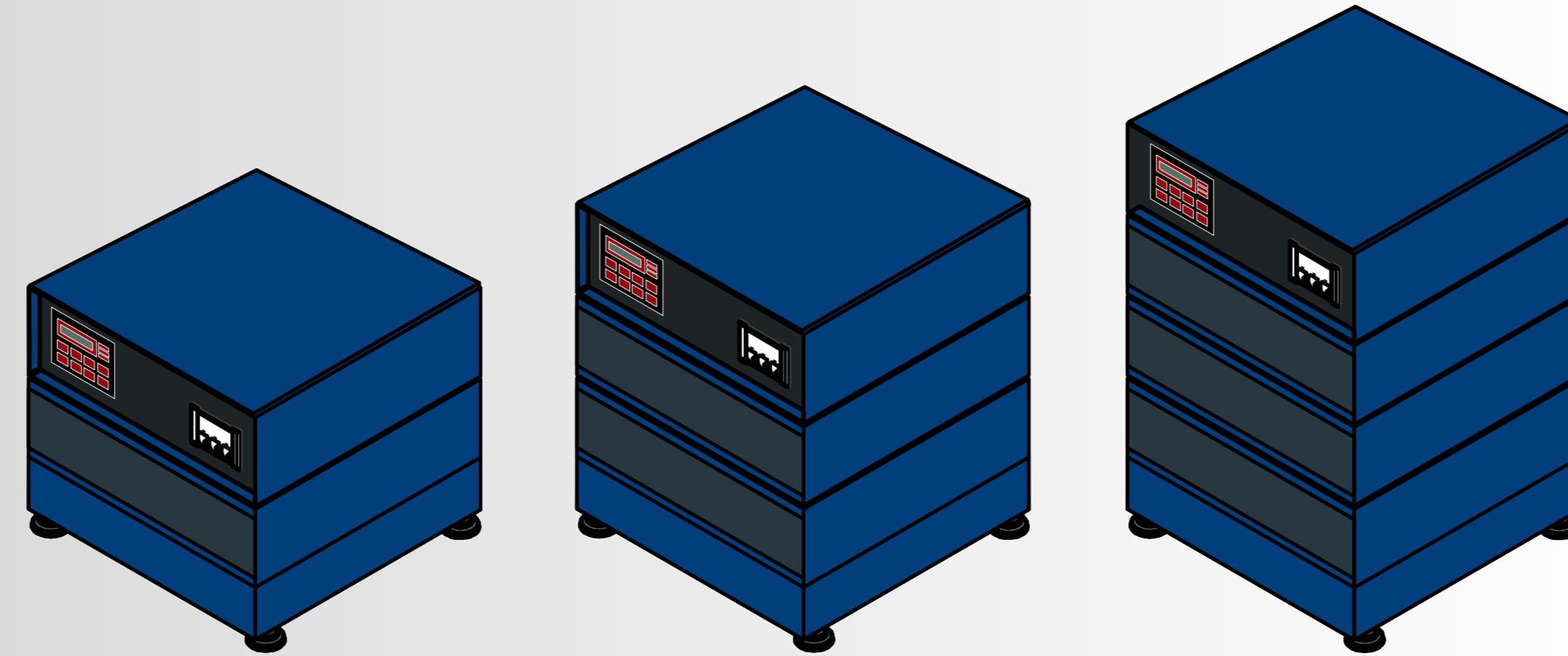
Configuration:
Height:
Max. DC Amps:
IP:
Weight:

Q100



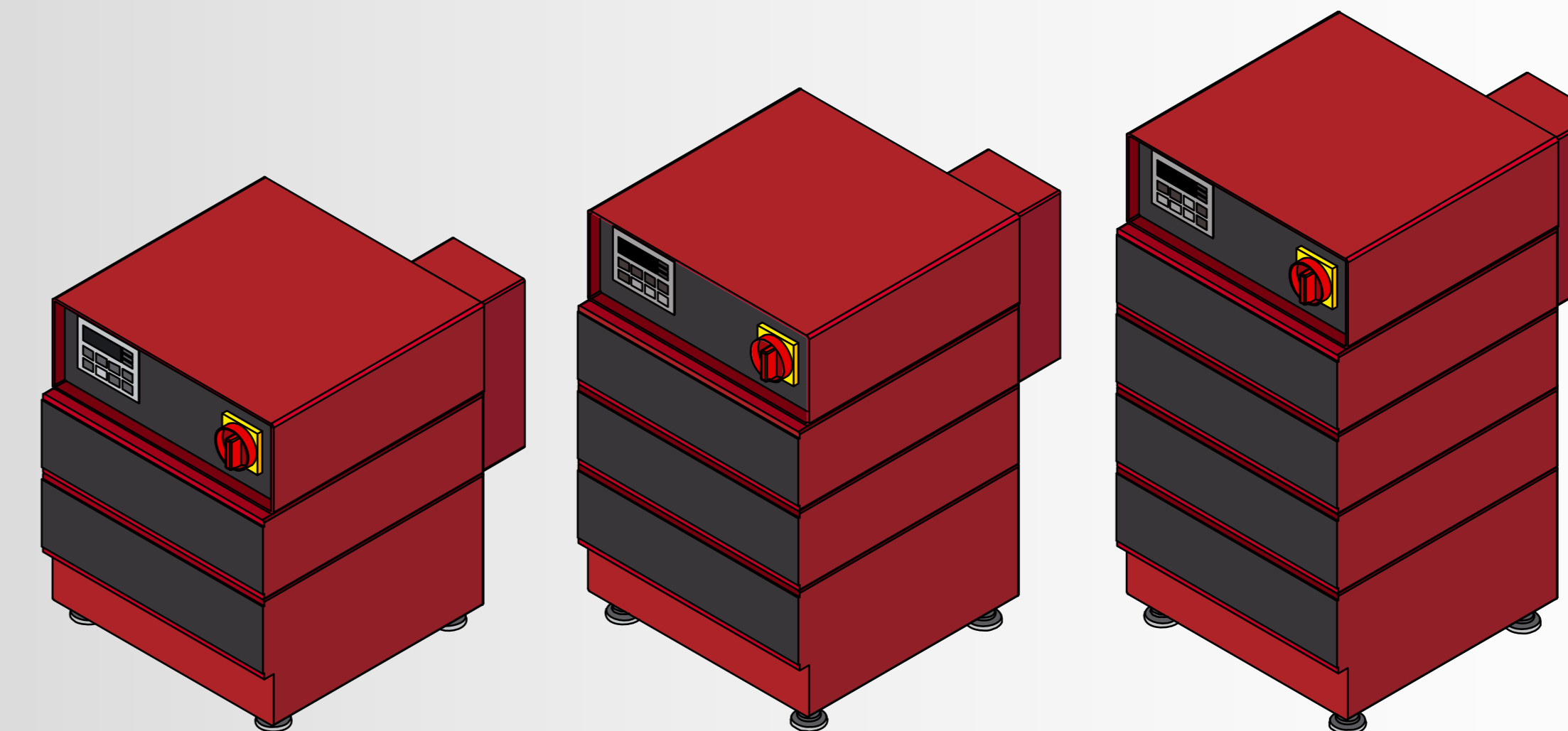
01 (mini)
154 mm
500 A
IP31
25 kg

Q300



01-1	369 mm	550 A	IP21	45 kg
02-2	501 mm	1100 A	IP21	69 kg
03-3	633 mm	1700 A	IP21	89 kg

Q500

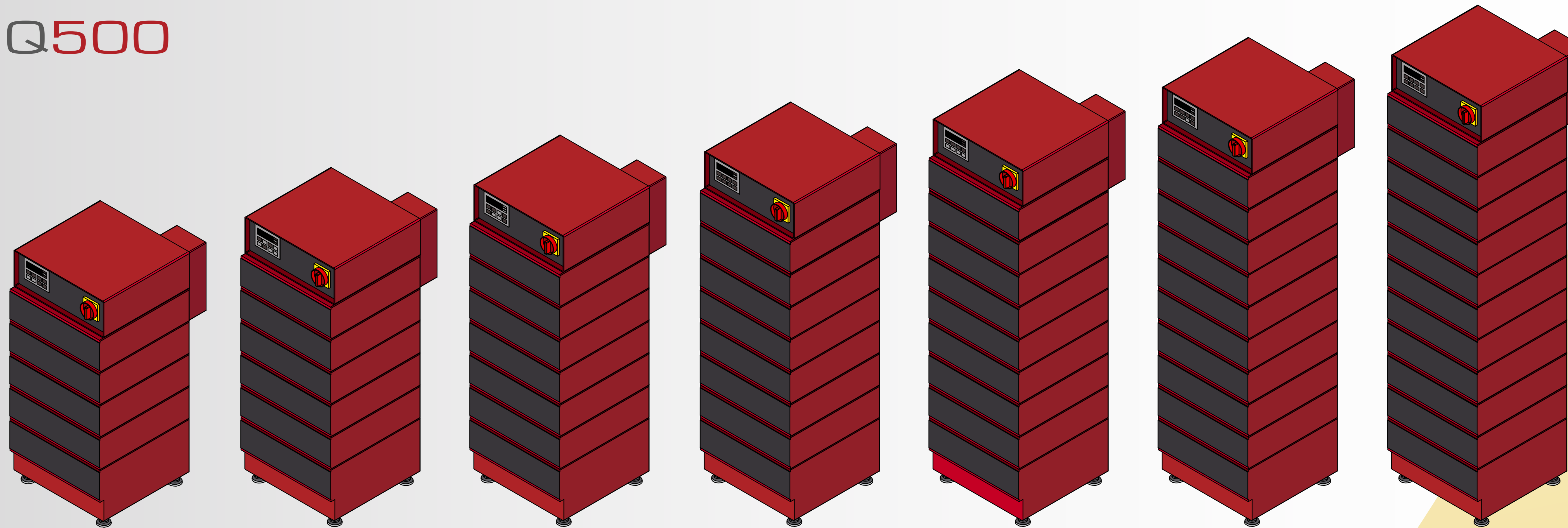


02-i1	551 mm	550 A	IP32	79 kg
03-1i1	683 mm	1100 A	IP32	99 kg
04-1i2	815 mm	1700 A	IP32	119 kg

429 mm
Base
424 mm

Configuration:
Height:
Max. DC Amps:
IP:
Weight:

Q500



05-2i2	947 mm	2200 A	IP32	139 kg
06-2i3	1079 mm	2000 A	IP32	159 kg
07-1i3i1	1211 mm	2800 A	IP32	183 kg
08-2i2i2	1343 mm	3300 A	IP32	203 kg
09-2i3i2	1475 mm	3900 A	IP32	223 kg
10-2i4i2	1607 mm	4400 A	IP32	243 kg
11-3i3i3	1739 mm	5000 A	IP32	287 kg

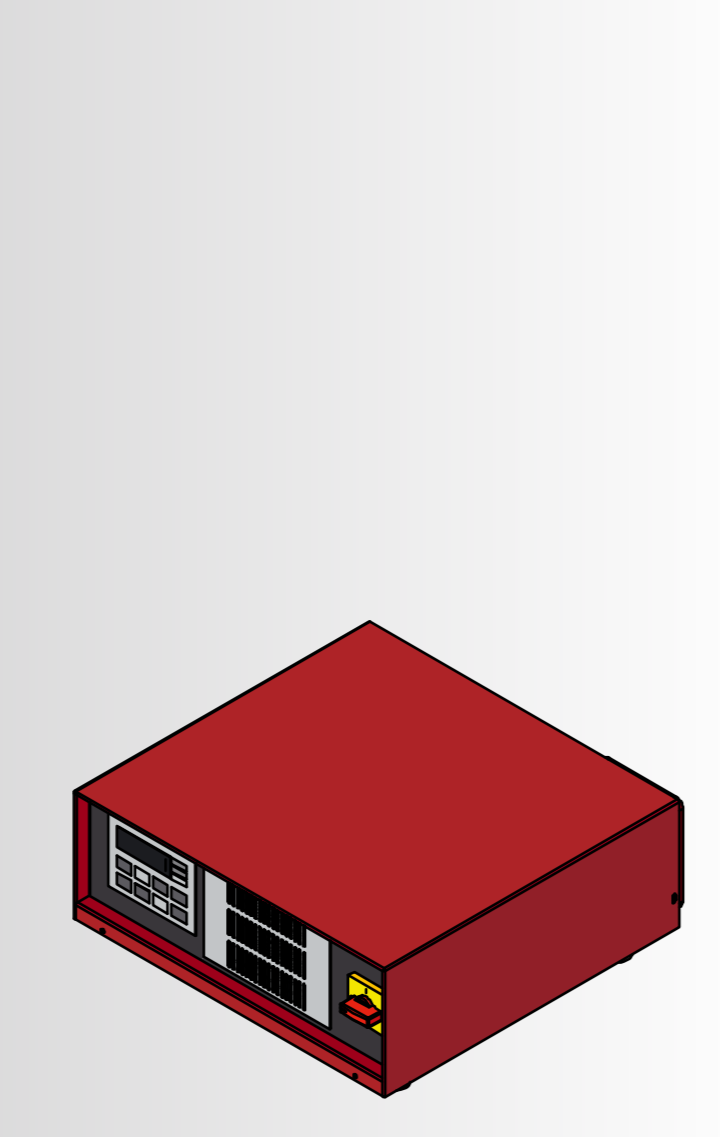
DC Water Cooled configurations



429 mm
Base
424 mm

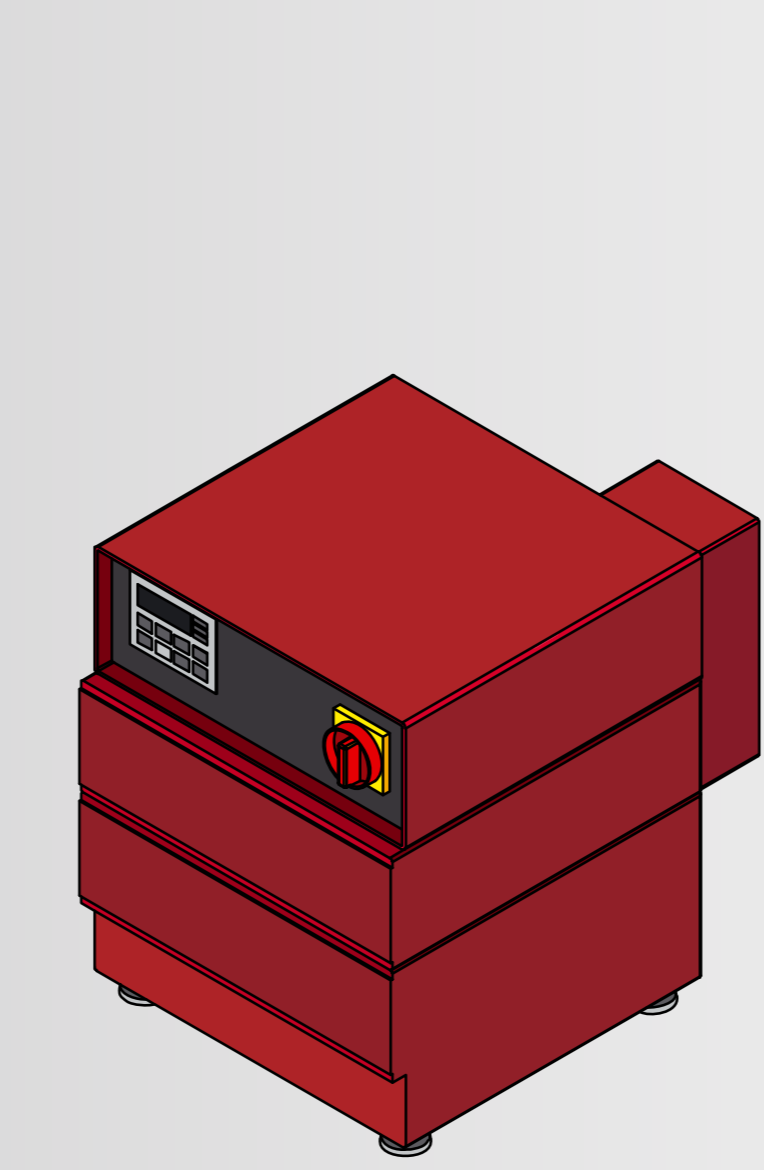
Configuration:
Height:
Max. DC Amps:
IP:
Weight:

Q100

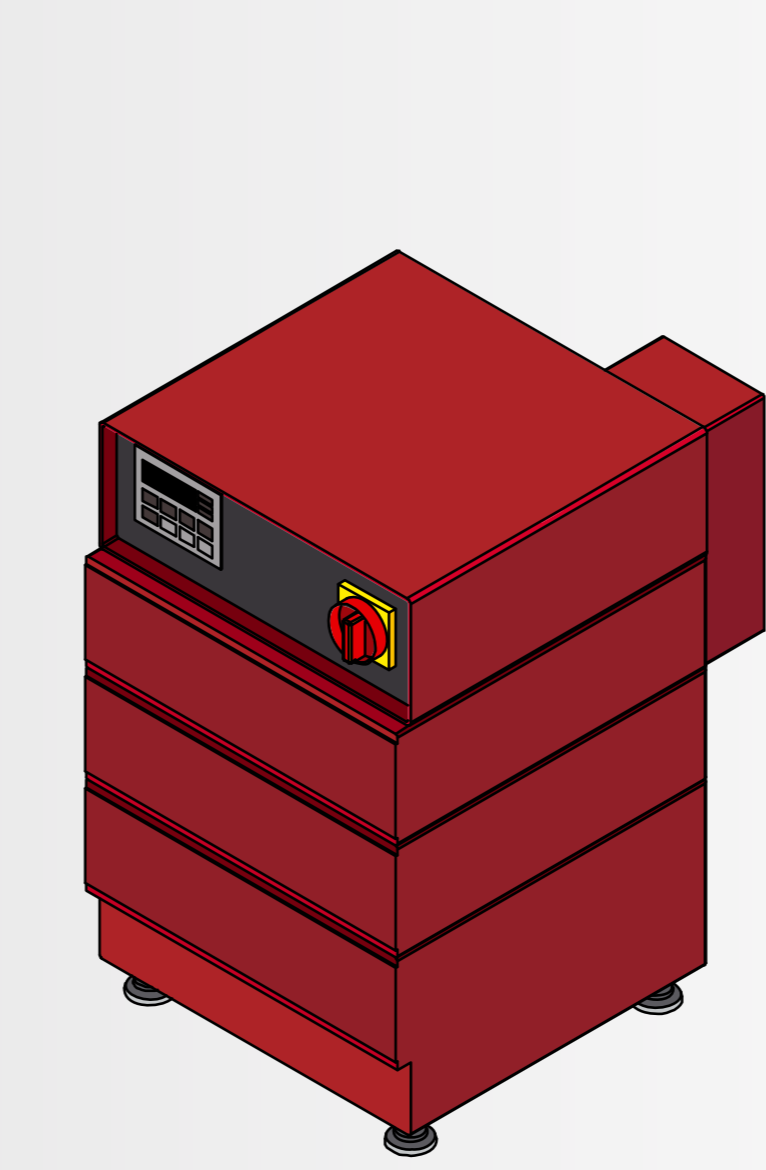


01 (mini)
154 mm
300 A
IP43
25 kg

Q500



02-i1
551 mm
1000 A
IP43
86 kg



03-1i1
683 mm
2000 A
IP43
110 kg



04-1i2
815 mm
2000 A
IP43
134 kg



05-1i1i1
947 mm
3000 A
IP43
160 kg

429 mm
Base
424 mm

Configuration:
Height:
Max. DC Amps:
IP:
Weight:

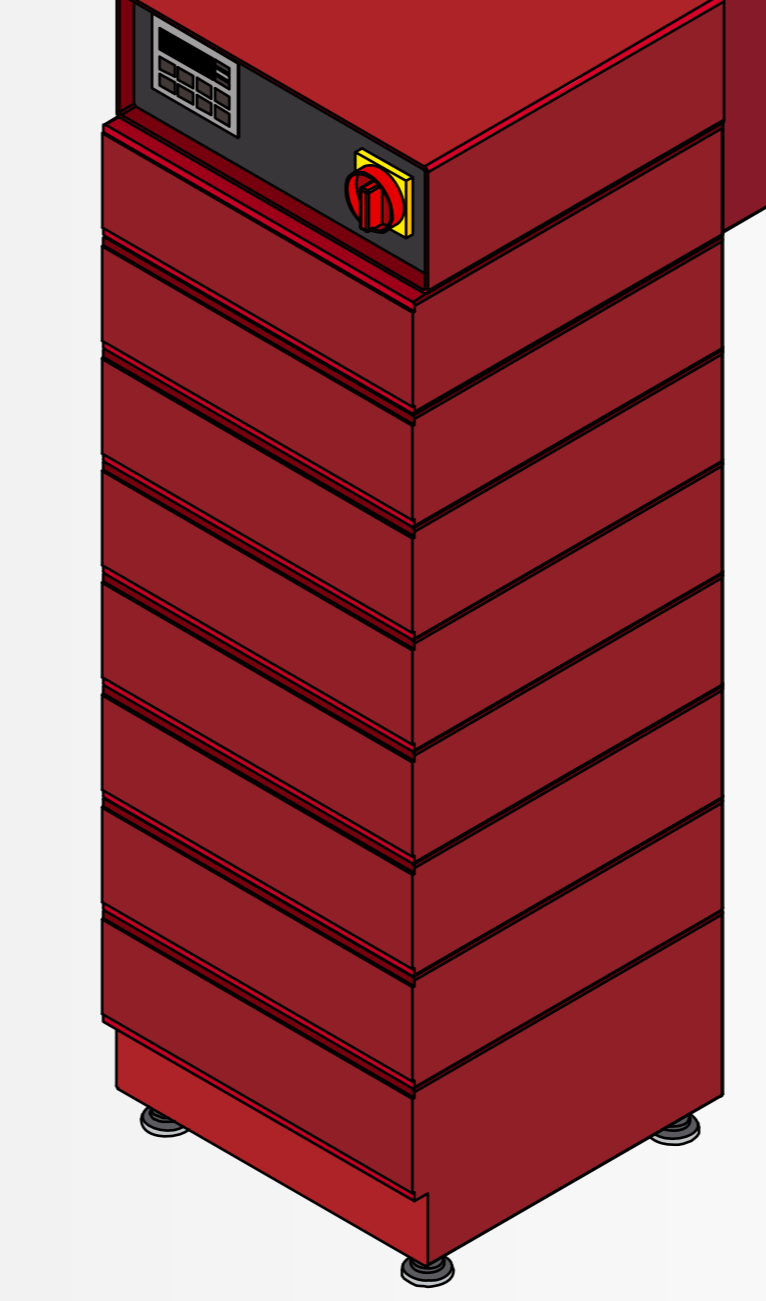
Q500



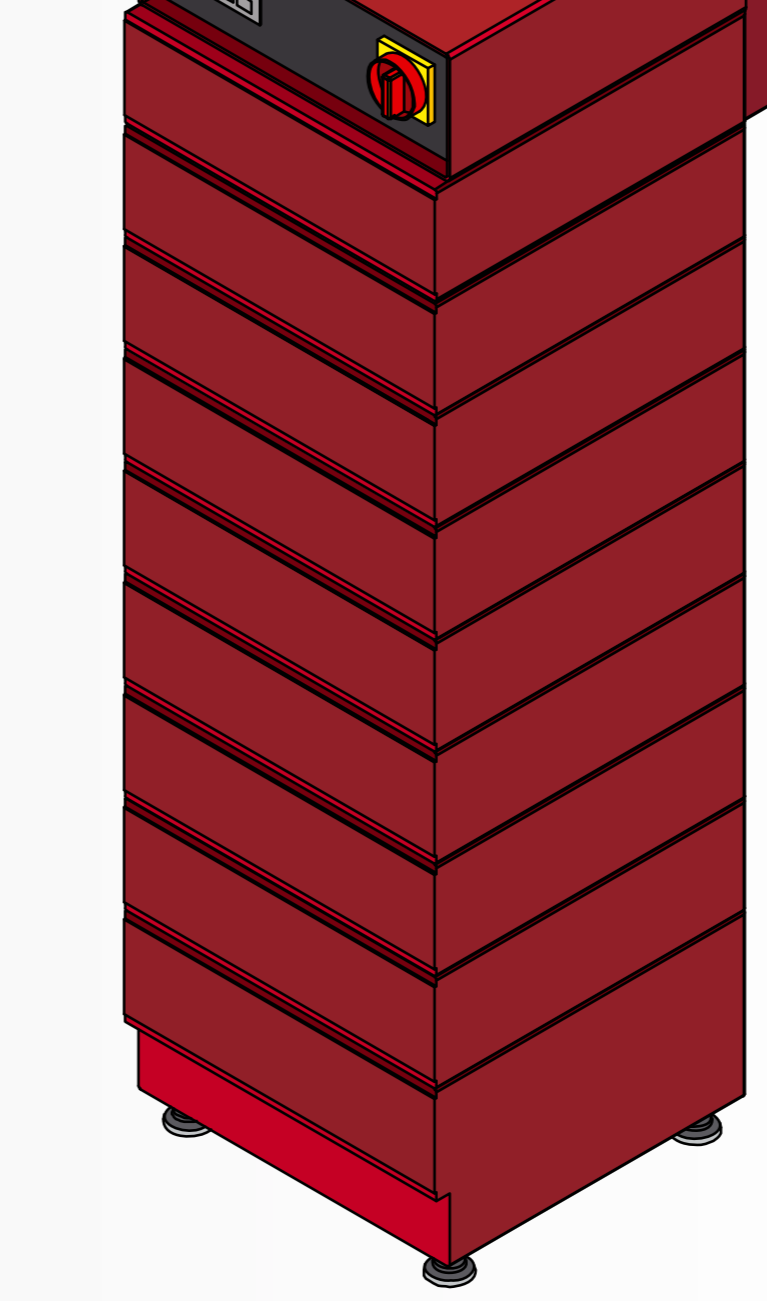
06-1i2i1
1079 mm
4000 A
IP43
184 kg



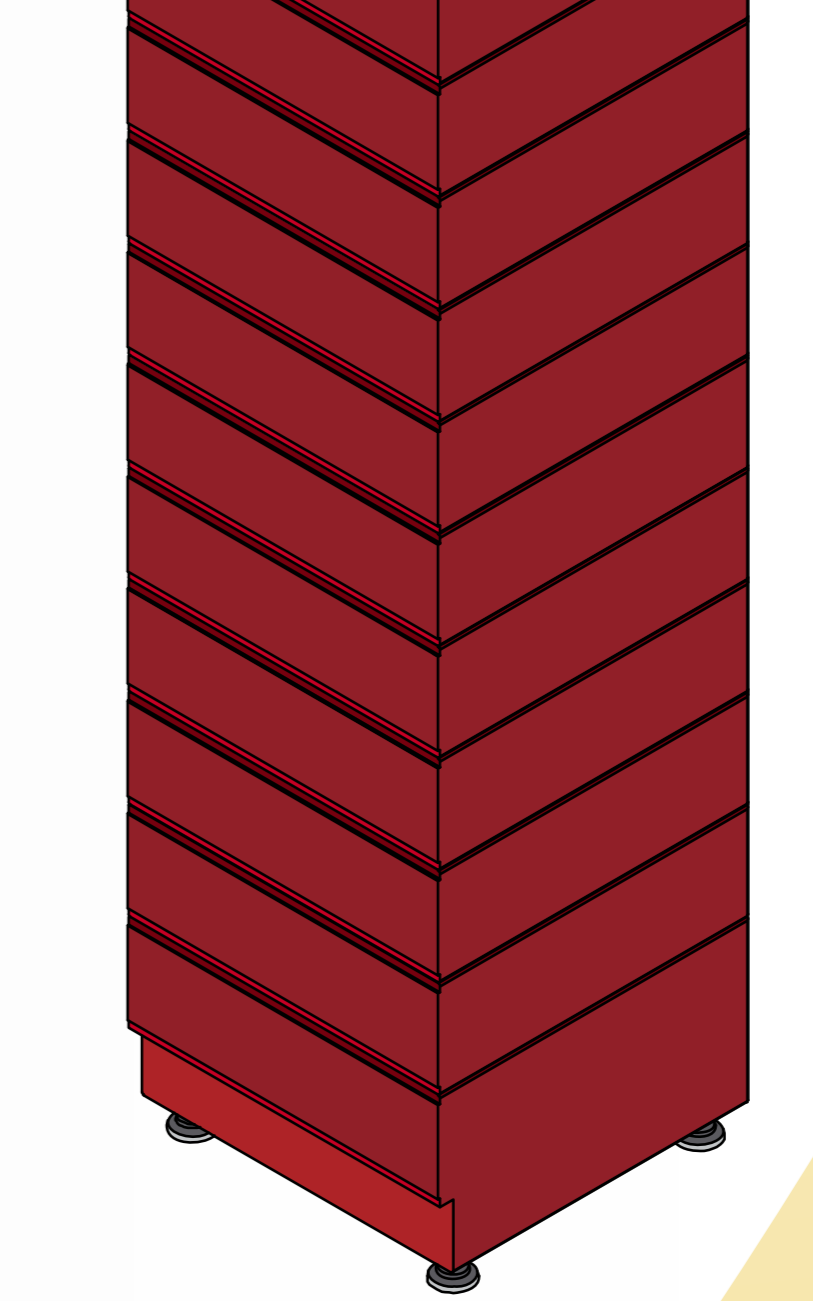
07-1i3i1
1211 mm
5000 A
IP43
208 kg



08-2i2i2
1343 mm
6000 A
IP43
232 kg

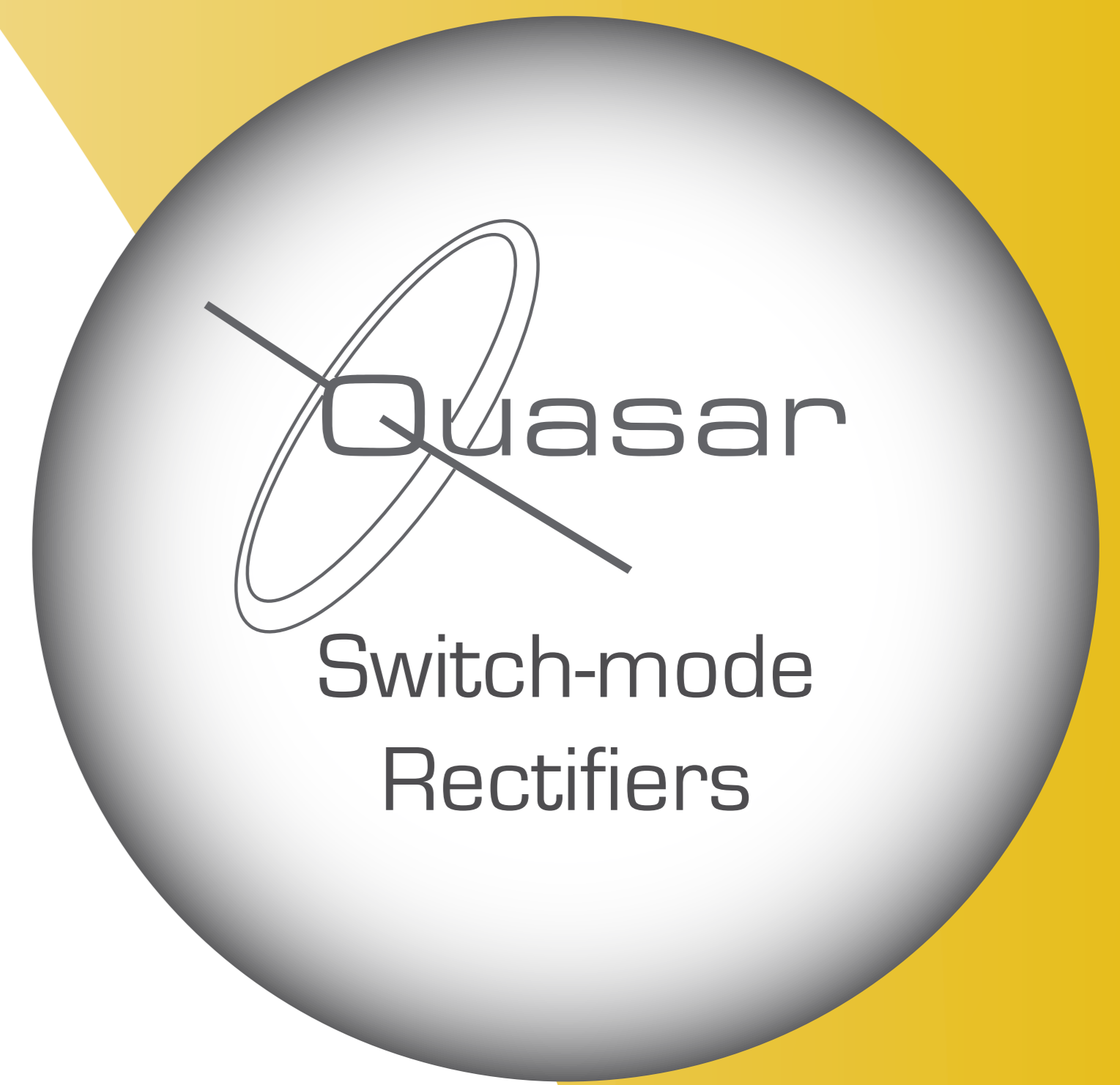


09-2i3i2
1475 mm
7000 A
IP43
256 kg



11-2i2i2i2
1739 mm
8000 A
IP43
304 kg

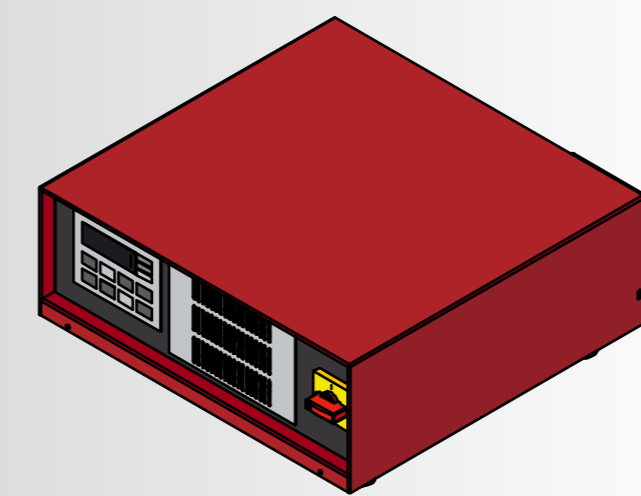
DCR Air Cooled configurations



429 mm
Base
424 mm

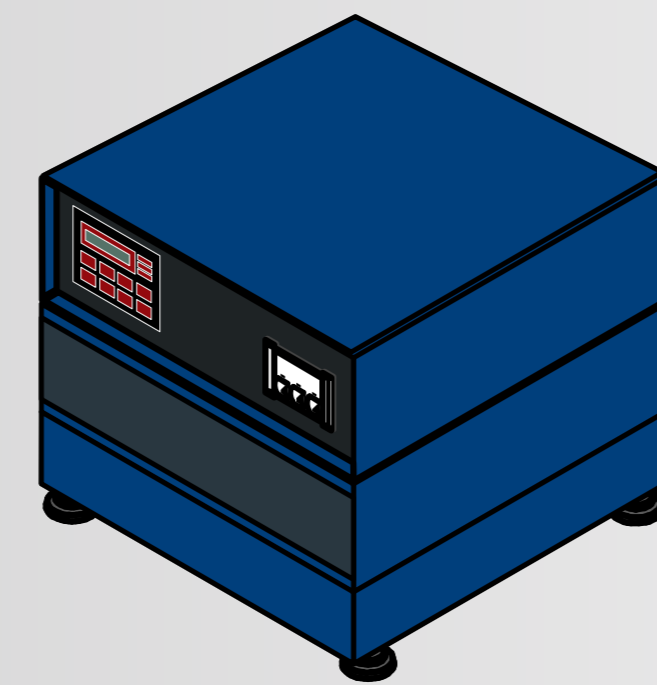
Configuration:
Height:
Max. DCR Amps:
IP:
Weight:

Q100

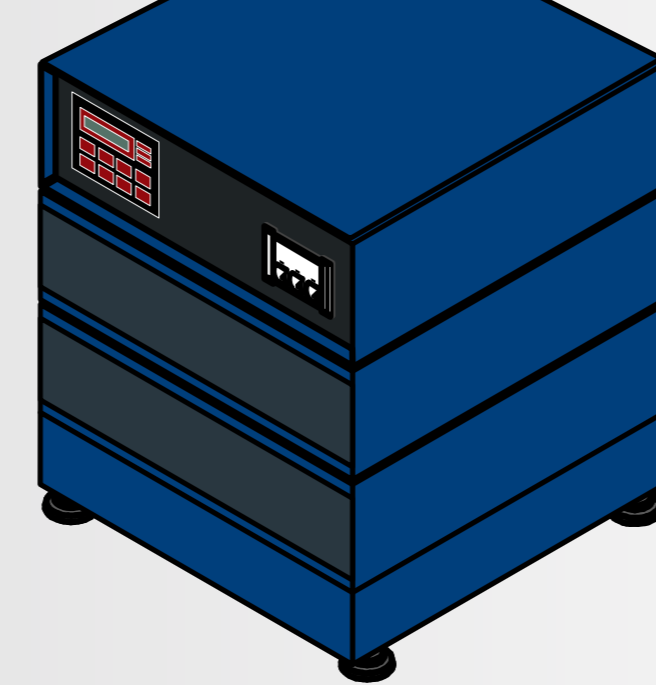


01 (mini)
154 mm
250 A
IP31
25 kg

Q300



01-1
369 mm
250 A
IP21
45 kg

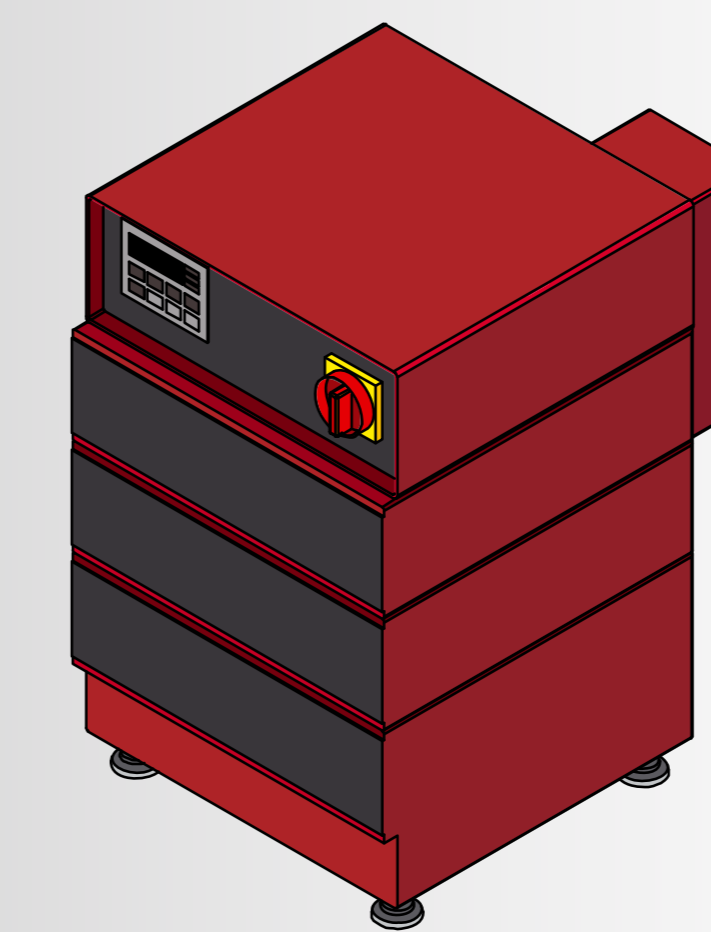


02-2
501 mm
550 A
IP21
69 kg



03-3
633 mm
750 A
IP21
89 kg

Q500



03-Ri1
683 mm
550 A
IP32
102 kg

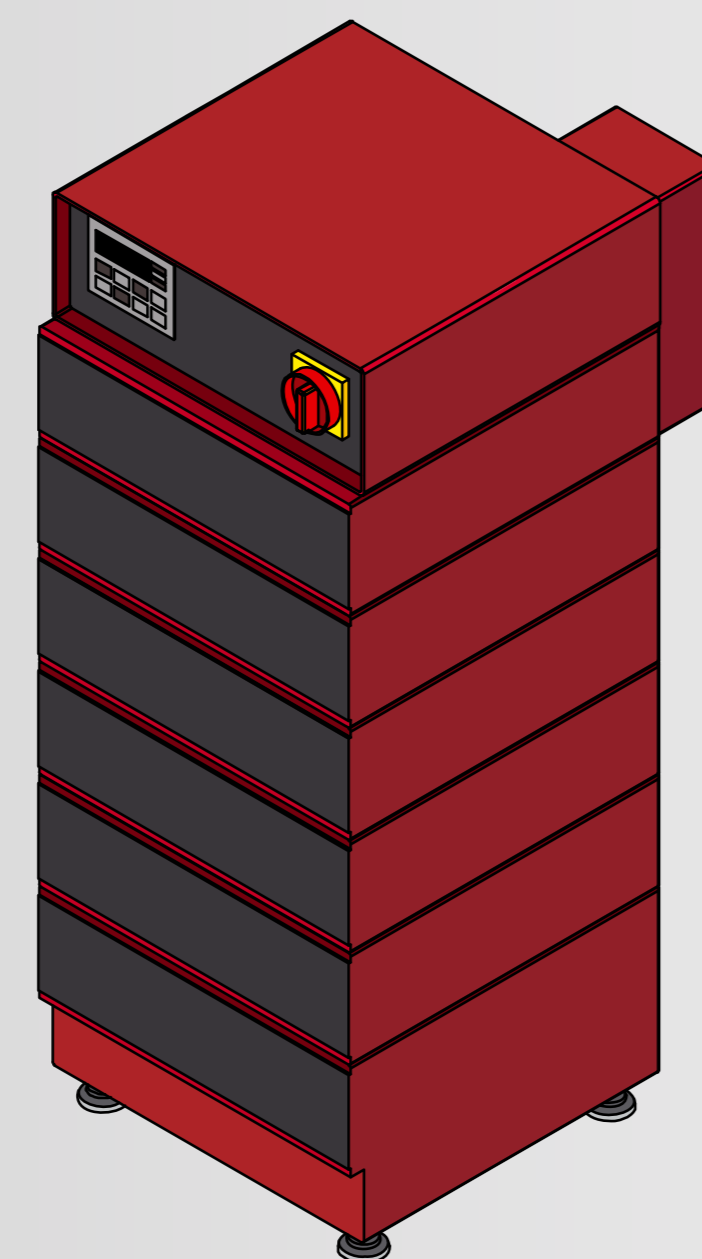


04-Ri2
815 mm
1100 A
IP32
122 kg

429 mm
Base
424 mm

Configuration:
Height:
Max. DCR Amps:
IP:
Weight:

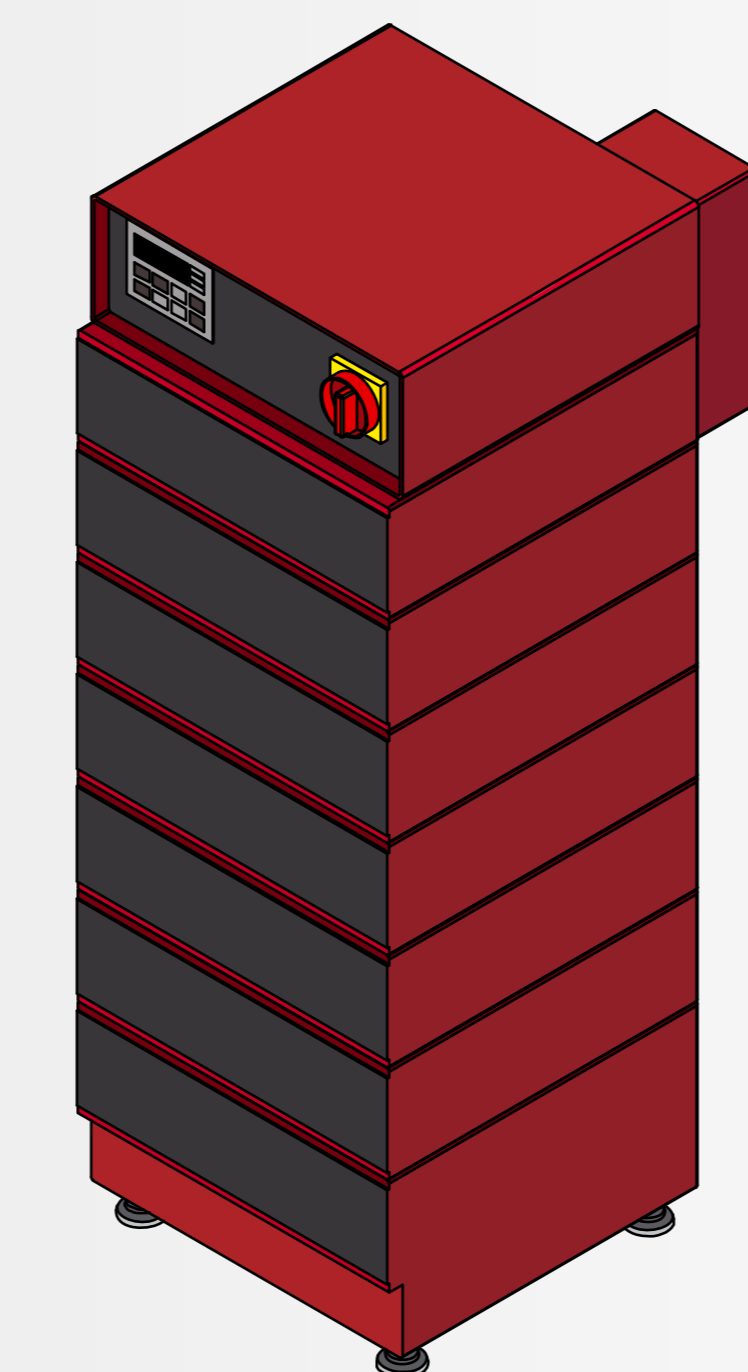
Q500



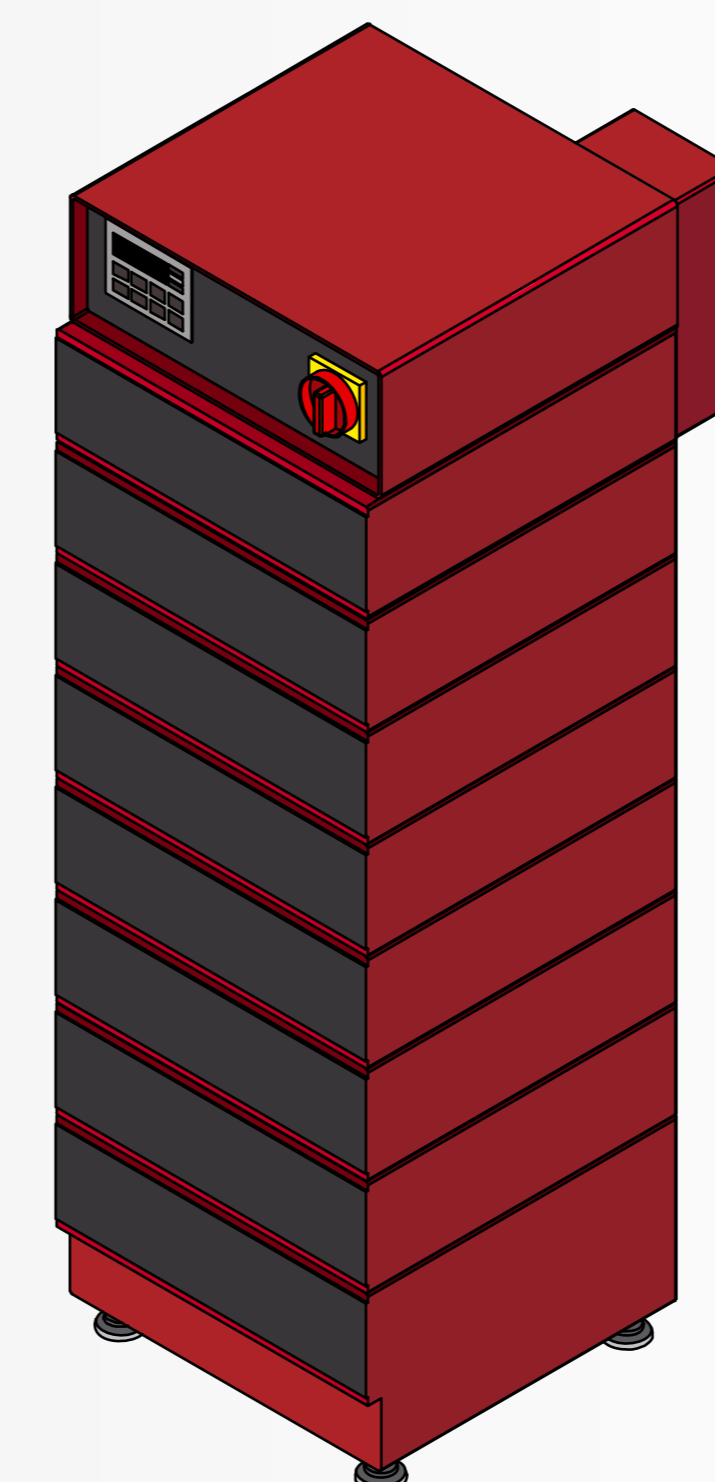
06-1iRi2
1079 mm
1500 A
IP32
166 kg



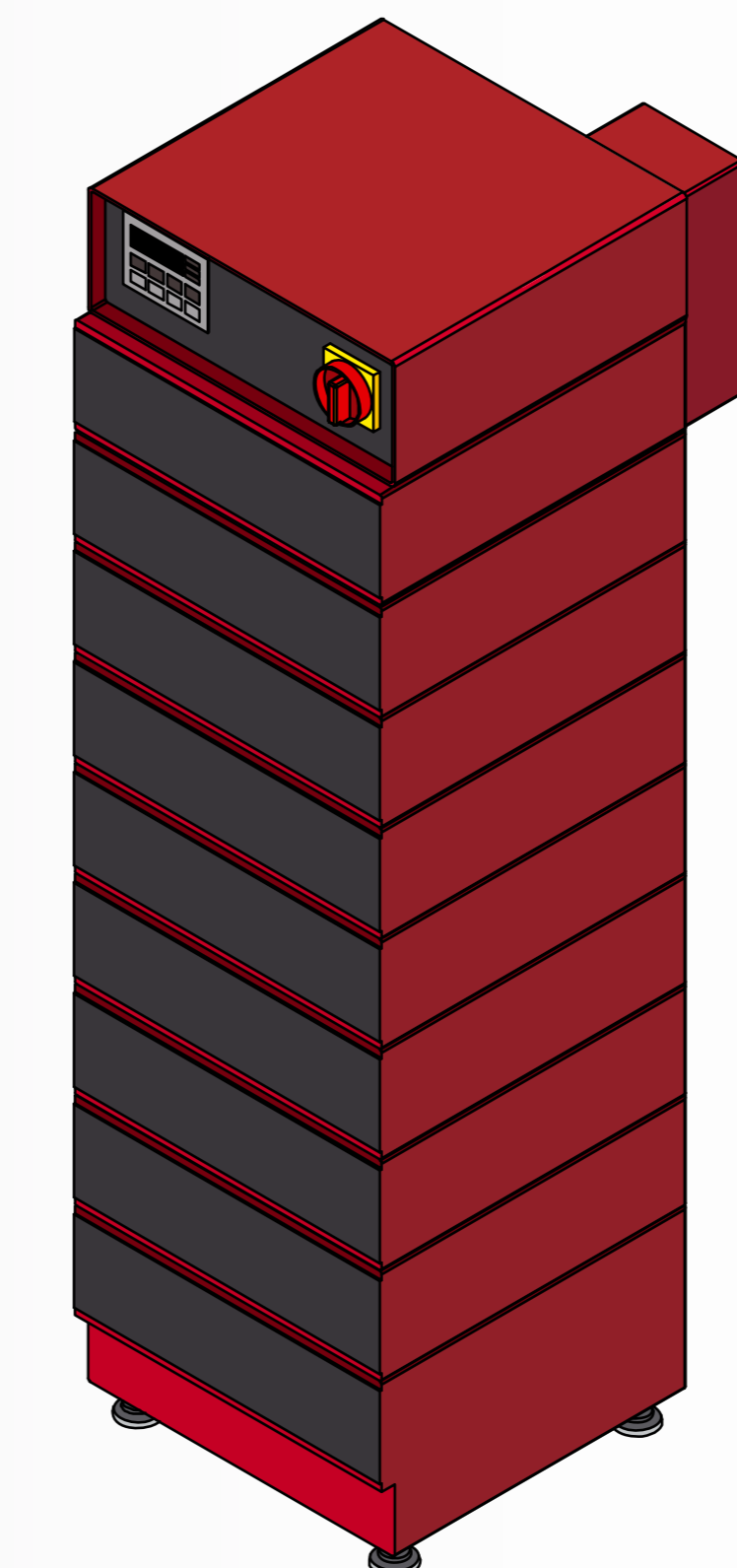
06-2Ri2
1079 mm
1500 A
IP32
162 kg



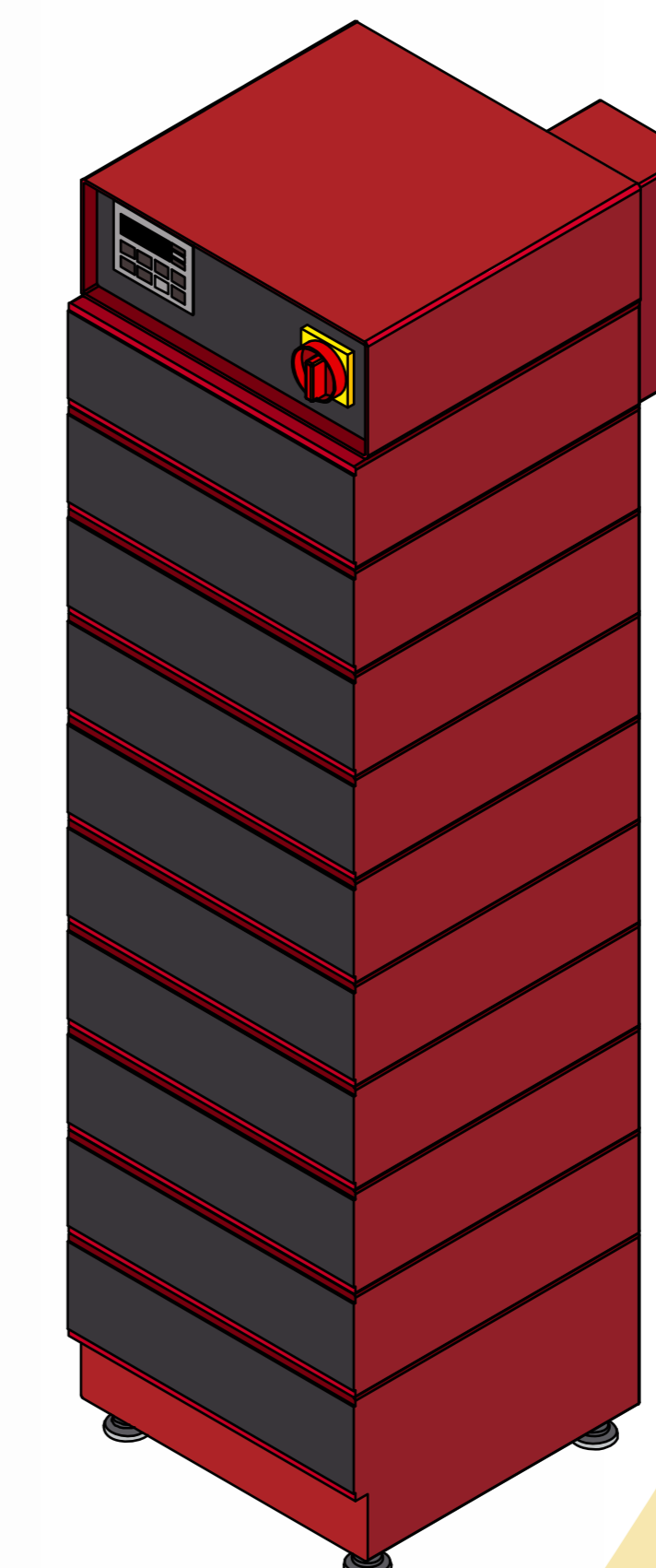
07-1iRRi2
1211 mm
1700 A
IP32
189 kg



08-2iRRi2
1343 mm
2200 A
IP32
209 kg

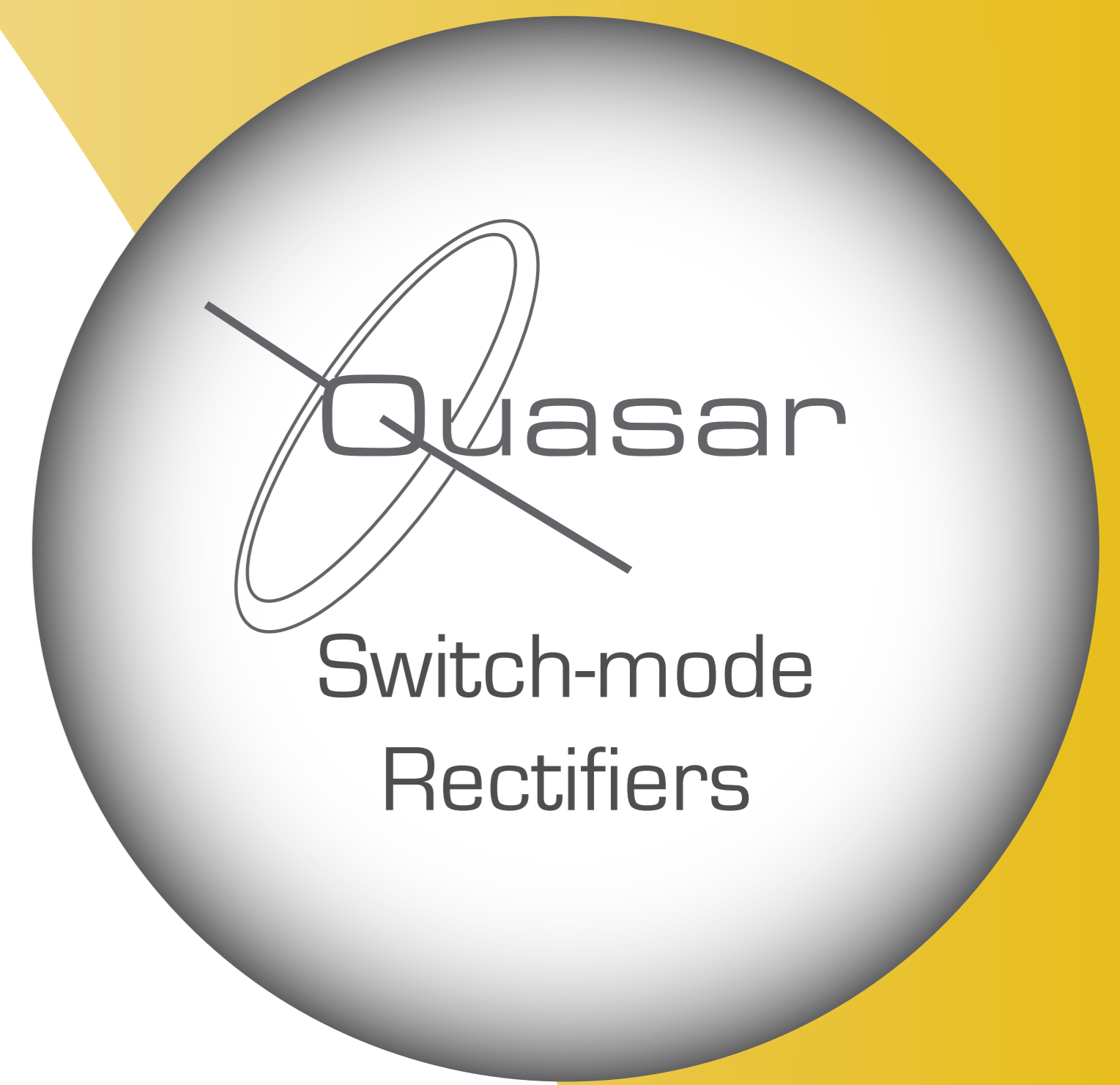


09-2iR1Ri2
1475 mm
2800 A
IP32
229 kg



10-2i1RR1i2
1607 mm
3000 A
IP32
249 kg

DCR Water Cooled configurations



429 mm
Base
424 mm

Configuration:
Height:
Max. DCR Amps:
IP:
Weight:

Q500



03-Ri1
683 mm
1000 A
IP43
112 kg



05-1iRi1
947 mm
2000 A
IP43
162 kg



05-1Ri2
947 mm
1800 A
IP43
160 kg



07-1iRRi2
1211 mm
3000 A
IP43
212 kg

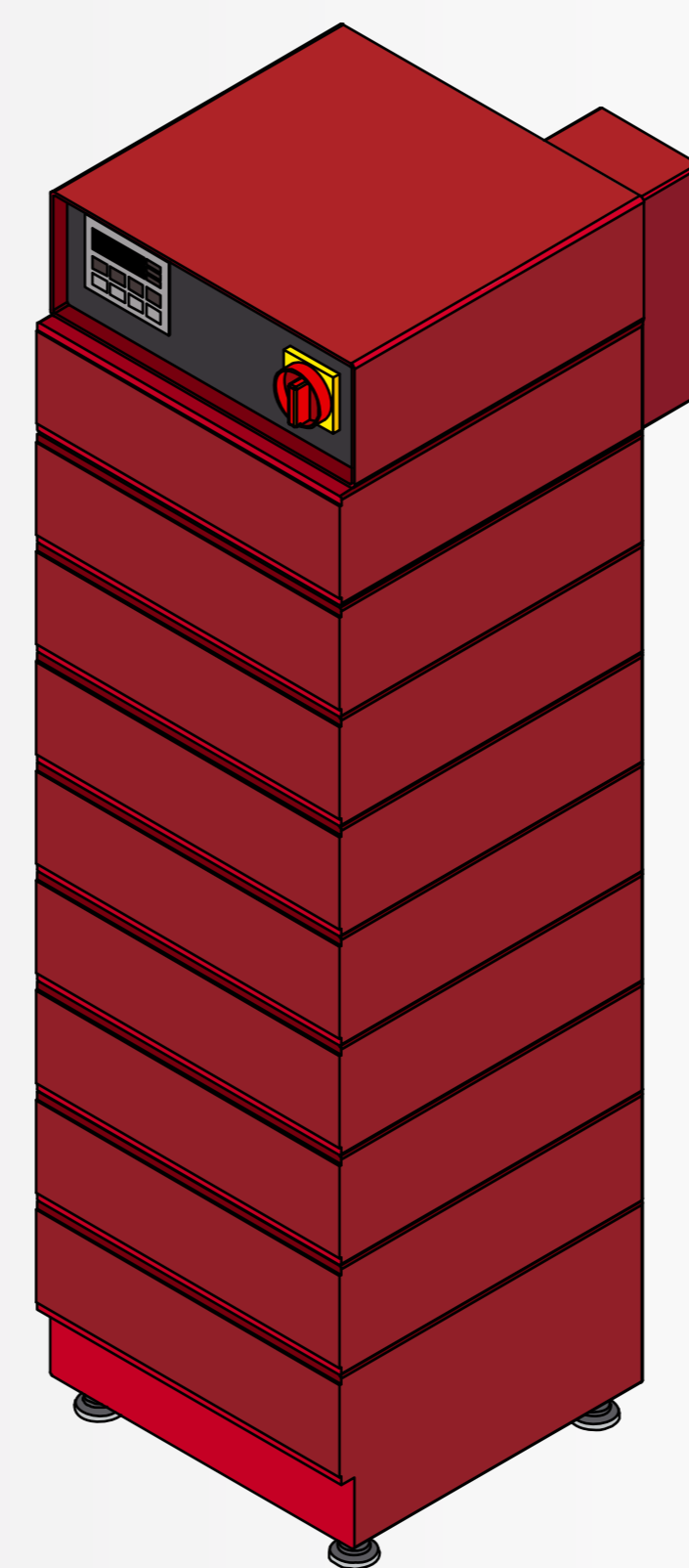
429 mm
Base
424 mm

Configuration:
Height:
Max. DCR Amps:
IP:
Weight:

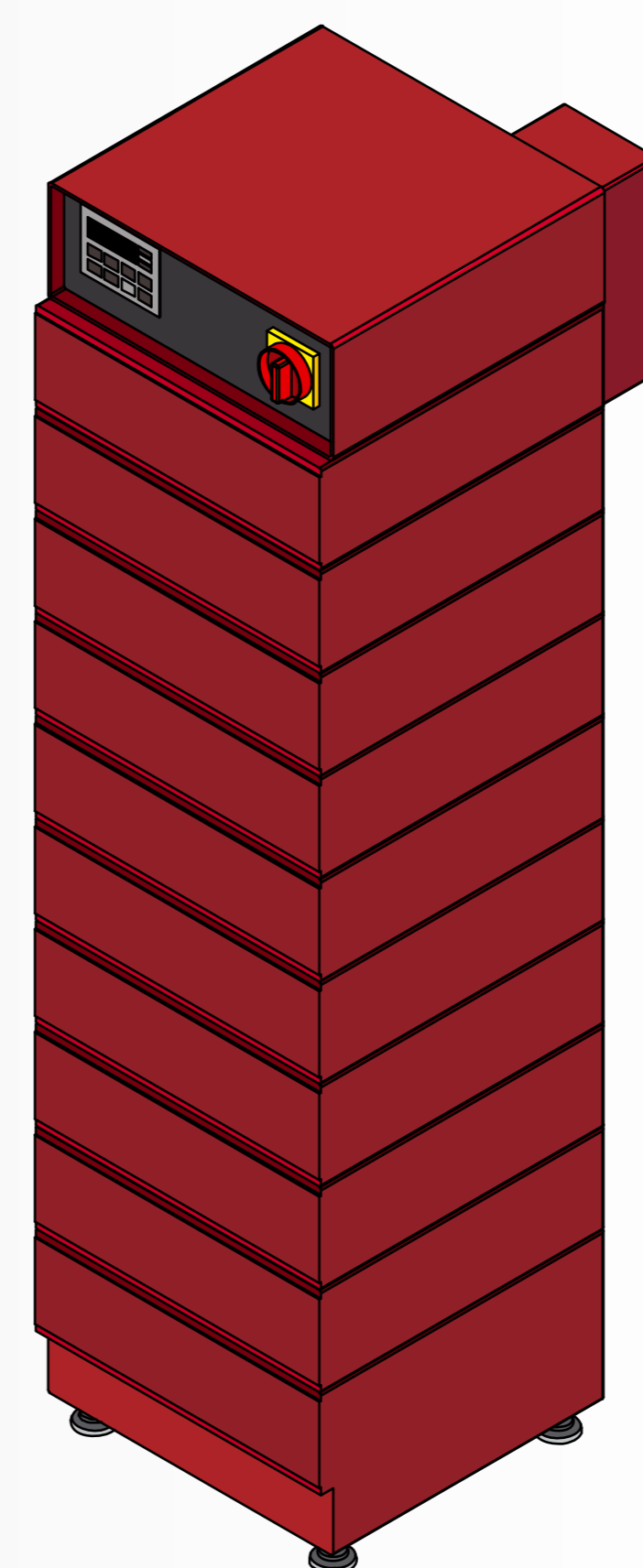
Q500



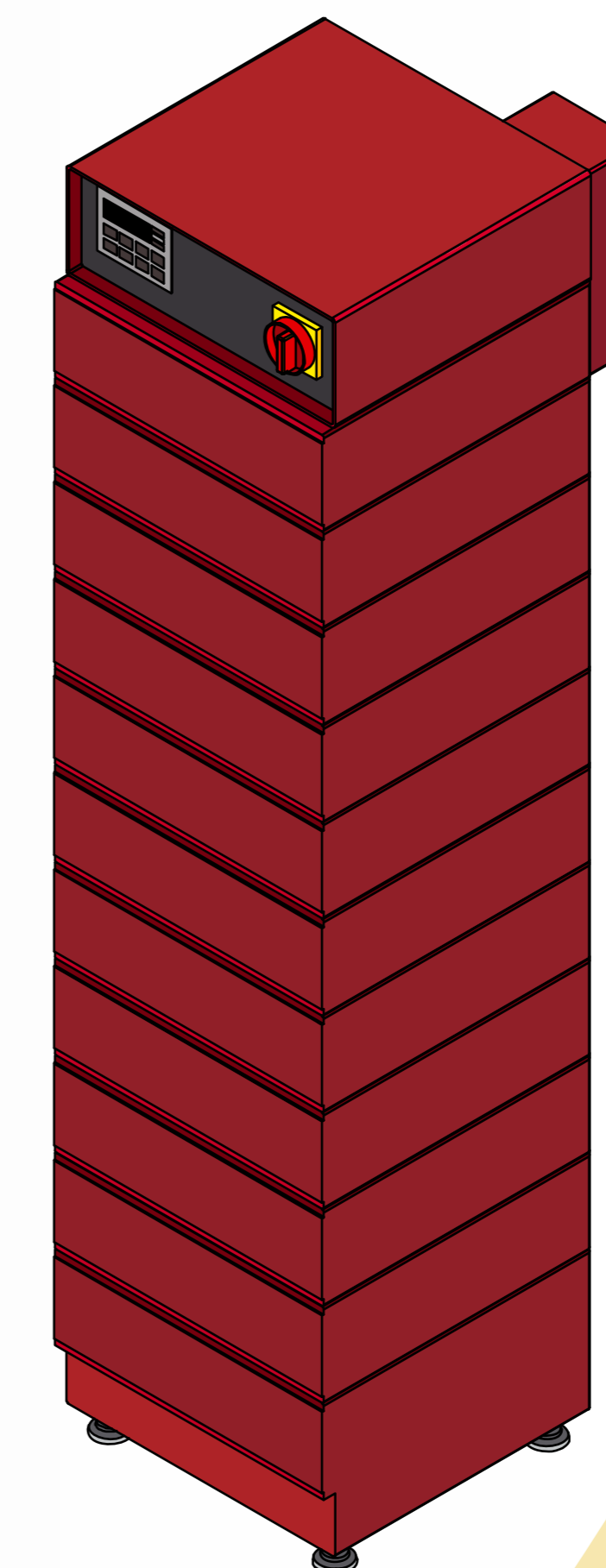
08-2iRRi2
1343 mm
4000 A
IP43
236 kg



09-2iR1Ri2
1475 mm
3000 A
IP43
260 kg



10-2iRRRi3
1607 mm
5000 A
IP43
286 kg



11-3iRRRi3
1739 mm
6000 A
IP43
310 kg